

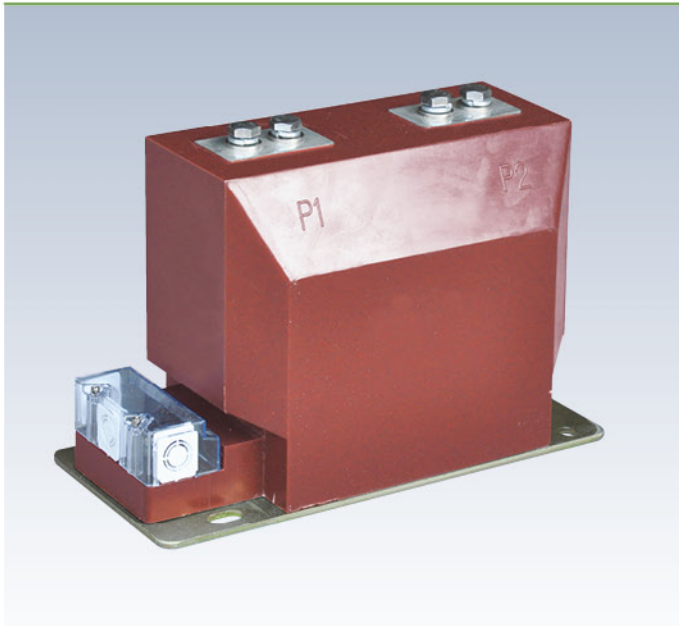
## LZZBJ9-10A3G

### 全封闭支柱式电流互感器

#### FULLY ENCLOSED POST TYPE CURRENT TRANSFORMER

#### 户内 单相 环氧树脂浇注式

#### INDOOR SINGLE-PHASE EPOXY RESIN CASTING TYPE



#### 型号含义 TYPE DESCRIPTION

L Z Z B J 9 - 10 A3G

—	结构代号	Structure of the code
—	额定电压	Rated voltage(kV)
—	设计序号	Design No.
—	加大容量	Extended output
—	带保护级	With protective class
—	浇注绝缘	Casting insulation
—	支柱式	Post type
—	电流互感器	Current transformer

## 一、概述 Summary

本型电流互感器为环氧树脂真空浇注全封闭支柱式结构，主要适用于额定频率为50Hz或60Hz，额定电压10kV及以下电力系统中作电能计量、电流测量和继电保护用，本产品由0.2S, 0.2, 0.5, 10P级可任意组合。

本产品符合GB 20840.1-2010《互感器 第1部分：通用技术要求》、GB 20840.2-2014《互感器 第2部分：电流互感器的补充技术要求》和JJG 313-2010《测量用电流互感器检定规程》。

This type of current transformer adopts epoxy-resin vacuum casting and fully enclosed post structure, is applicable for power systems of rated frequency 50Hz or 60Hz rated voltage up to and including 10kV, used for electric energy metering, current measurement and relay protection, it can be an arbitrary combination of classes 0.2S, 0.2, 0.5 and 10P.

It complies with the standards GB 20840.1-2010 Instrument transformers-Part 1: General requirements, GB 20840.2-2014 Instrument transformers-Part 2: Additional requirements for current transformers, and JJG 313-2010 Instrument Current Transformers.

## 二、使用环境条件 Use environment

- |                   |                                       |
|-------------------|---------------------------------------|
| 1、海拔: 不超过1000米;   | 1. Altitude: should not exceed 1000m; |
| 2、环境温度: -5℃~+40℃; | 2. Ambient temperature: -5℃~+40℃;     |
| 3、空气相对湿度: ≤85%;   | 3. Air relative humidity: ≤85%;       |
| 4、安装场所: 户内。       | 4. Installation site: indoor.         |

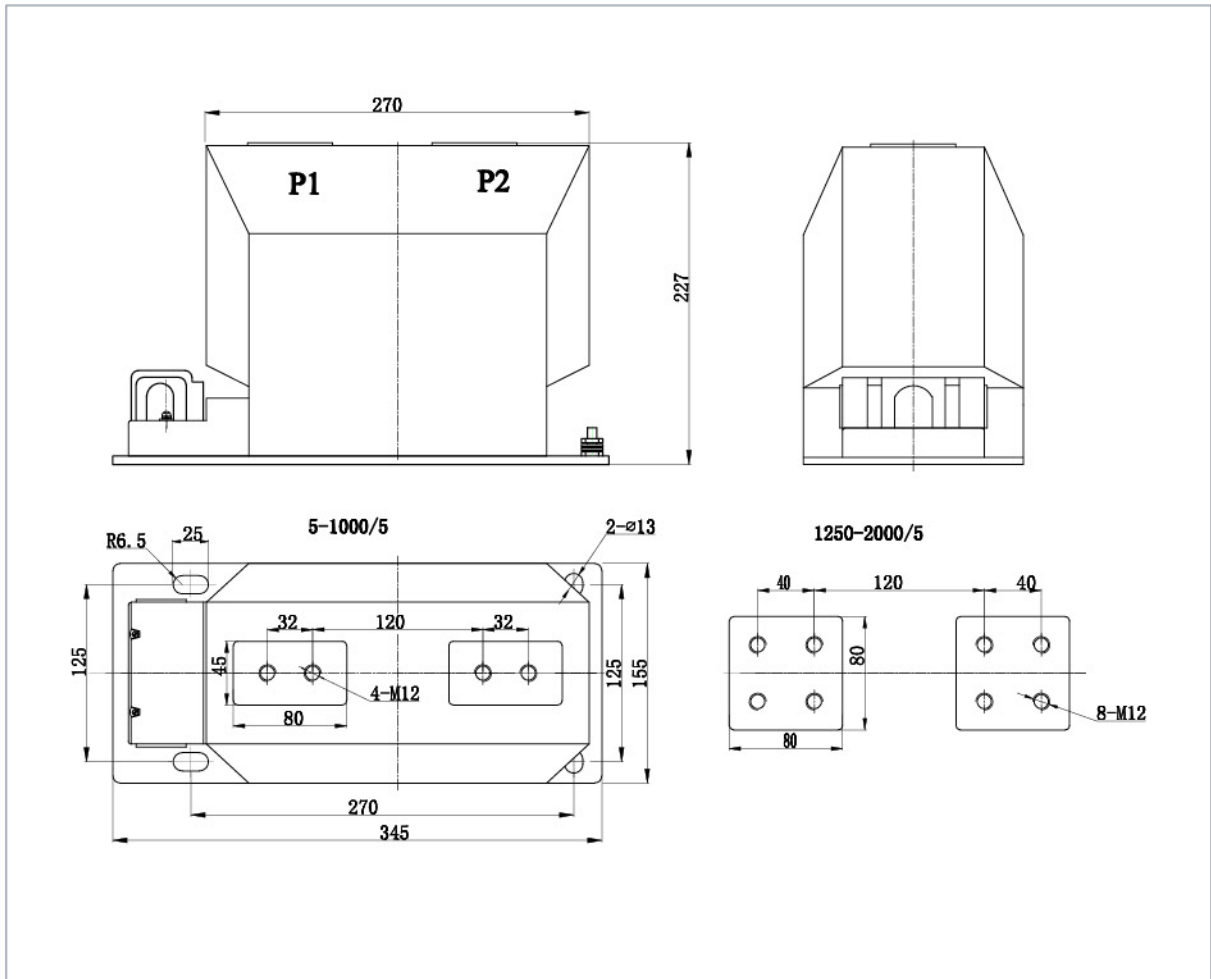
## 三、技术参数 Technical parameter

- |                                 |  |
|---------------------------------|--|
| 1、绝缘水平: 12/42/75kV;             | 1. Insulation level: 12/42/75kV;           |
| 2、功率因数: $\cos \phi = 0.8$ (滞后); | 2. Power factor: $\cos \phi = 0.8$ (lag) ; |
| 3、额定二次电流: 5A或1A;                | 3. Rated secondary current: 5A or 1A;      |
| 4、额定频率: 50Hz或60Hz;              | 4. Rated frequency: 50Hz or 60Hz;          |
| 5、重量: 21kg。                     | 5. Weight: 21kg.                           |

表一：变比参数 Transformation ratio

额定一次电流(A) Rated primary current	准确级组合 Accuracy class	额定输出(VA) Rated output	额定短时热电流 Rated short-time thermal current (kA/s)	额定动稳定电流 (kA) Rated insulation level
5	0.2S 0.2S/0.5 0.2S/0.5/10P10 0.2S/10P10	10 10/10 10/10/15 10/15	0.36	0.9
10			0.72	1.8
15			1.08	2.7
20			1.44	3.6
25			1.8	4.5
30			2.16	5.4
40			2.88	6.3
50			3.6	7.2
60			4.32	8.1
75			5.4	13.5
80			5.76	14.4
100			7.2	18
120			8.64	21.6
150			10.8	27
200			14.4	36
250			18	45
300			21.6	54
400			28.8	63
500			36	72
600			43.2	108
800	57.6	120		
1000-1500	72	144		

## 四、外形及安装尺寸 Outline and installation dimensions



## 五、订货须知 Order notice

- 1、请注明型号、电流规格；例如：LZZBJ9-10A3G 100/5。
- 2、请注明准确级、额定输出；例如：0.2S 10VA。
- 3、特殊要求的请与我司协商后确定。
- 4、请注明订货数量和交货时间。

1. Please specify the model and current; e.g.: LZZBJ9-10A3G 100/5.
2. Please specify the accuracy class and rated output;  
e.g.: 0.2S 10VA.
3. Please contact us if any special requirements.
4. Please specify the order quantity and delivery time.